

AC Surge Protectors DS40 Series

**Imax
40 kA**



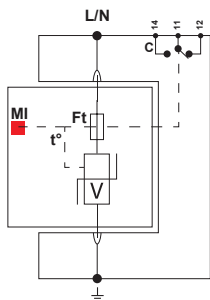
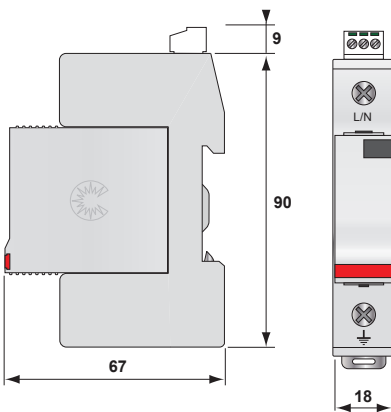
DS41-120

- Slim 18 mm Form Factor
- Fault Indicator Window
- Remote Signal Contacts
- I_{max} : 40 kA at 8/20 μs
- I_n : 20 kA at 8/20 μs
- UL 1449 4th Edition

Dimensions and Electrical Diagram

[in mm]

DS41S (1 pole)



V : High energy varistor
t° : Thermal disconnection system
Ft : Thermal fuse
MI : Disconnection indicator
C : Remote signaling contact

Characteristics

CITEL Part Number	DS41S-480	DS41S-400	DS41S-320	DS41S-230	DS41S-120	
AC network voltage	480 V	277-347 V	220-277 V	220-240 V	120-127 V	
Maximum operating voltage	Mcov	550 Vac	320 Vac	280 Vac	275 Vac	150 Vac
Temporary overvoltage withstand	U _T	770 Vac	440 Vac	440 Vac	440 Vac	230 Vac
Operating current	I _c	< 1 mA	< 1 mA	< 1 mA	< 1 mA	< 1 mA
Follow current	I _f	none	none	none	none	none
Nominal discharge current 15 x 8/20 μs impulse	I _n	20 kA	20 kA	20 kA	20 kA	20 kA
Maximum discharge current 8/20 μs withstand	I _{max}	40 kA	40 kA	40 kA	40 kA	40 kA
Protection level at I _n	Up-I _n	2.0 kV	1.8 kV	1.5 kV	1.25 kV	0.9 kV
Protection level at 10 kA		1.8 kV	1.5 kV	1.3 kV	1.1 kV	0.7 kV
Voltage protection rating	V _{pr}	1800 V	1500 V	1200 V	1000 V	700 V
Short-circuit current Rating	Sc _{cr}	100 kA	100 kA	100 kA	100 kA	100 kA
Associated Disconnection Devices						
Thermal disconnector	Internal					
Fuses	Fuses type gG - 50 A max. (see Note 1)					
Installation ground fault breaker	Type «S» or delayed					
Mechanical Characteristics						
Dimensions	See diagram					
Connection	By screw terminals : 4-25 mm ² / by bus					
Disconnection indicator	1 mechanical indicator					
Remote signaling of disconnection	Option DS40S - output on changeover contact					
Mounting	Symmetrical rail 35 mm					
Operating temperature	-40/+85 °C					
Protection class	IP20					
Housing material	Thermoplastic UL94-V0					
Standards Compliance						
EN 61643-11: Europe	Low Voltage SPD - Class II Test					
IEC 61643-11: International	Low Voltage SPD - Class II Test					
NF EN 61643-11: France	Parafoudre Basse Tension - Essais Classe II					
UL1449 4th Edition: USA	Type 1CA (400, 480V) / Type 4CA (120, 230, 320V)					
Part Number						
DS41S-480	331011					
DS41S-400	3314111					
DS41S-320	331911					
DS41S-230	331705					
DS41S-120	331611					

Note 1: Rating in compliance with NF C15-100 art.534.1.5.3. In order to increase service continuity, higher rating can be used (up to 125 A). For further information, please consult product instructions..

AC Surge Protectors DS42, DS43, DS44

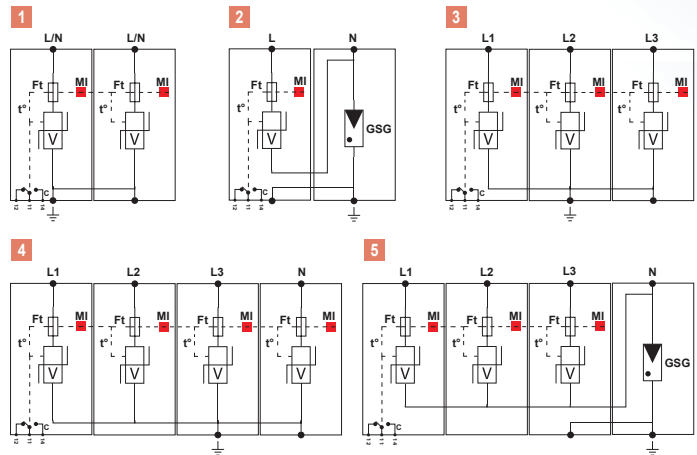
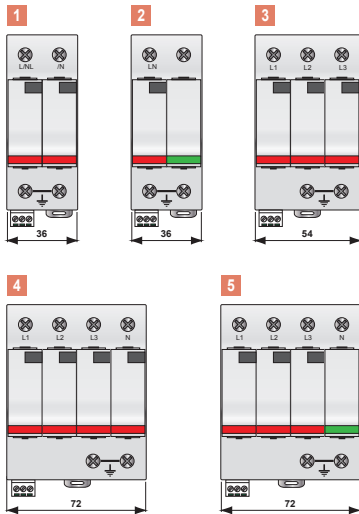
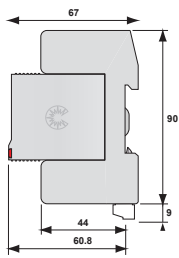


DS44-230/G

DS4x S-xxx/G

- « » = CT1 Configuration (common mode)
- «G» = CT2 (common and differential mode)
- Operating voltage [120, 230, 320, 400, 480]
- «S» = Remote signal option
- Number of protected poles [2, 3, 4]

Dimensions and Electrical Diagrams



Reference	Part Number	Network	AC System	Protection Mode		Imax Total	Up L/PE	Up L/N	Diagram
				Common	Differential				
DS44S-230/G	461532	230/400 V 3-phase+N	Wye	●	●	40 kA	1.5 kV	1.25 kV	5
DS44S-120/G	461632	120/208 V 3-phase+N	Wye	●	●	40 kA	1.5 kV	0.9 kV	
DS44S-400	461422	277/480 V 3-phase+N	Wye	●		160 kA	1.8 kV	-	4
DS44S-230	461522	230/400 V 3-phase+N	Wye	●		160 kA	1.25 kV	-	
DS44S-120	461622	120/208 V 3-phase+N	Wye	●		160 kA	0.9 kV	-	3
DS43S-480	461017	480 V 3-phase	Delta	●		120 kA	2.0 kV	-	
DS43S-230	461523	240 V 3-phase	Delta	●		120 kA	1.25 kV	-	
DS43S-120	461623	120/240 V 2-phase+N	Split phase	●		120 kA	0.9 kV	-	2
DS42S-230/G	461531	230 V 1-phase+N	Single phase	●	●	40 kA	1.5 kV	1.25 kV	
DS42S-120/G	461631	120 V 1-phase+N	Single phase	●	●	40 kA	1.5 kV	0.9 kV	1
DS42S-400	461421	277 V 1-phase+N, 2-phase	Single/Split phase	●		80 kA	1.8 kV	-	
DS42S-230	461521	230 V 1-phase+N, 2-phase	Single/Split phase	●		80 kA	1.25 kV	-	
DS42S-120	461621	120 V 1-phase+N, 2-phase	Single/Split phase	●		80 kA	0.9 kV	-	

*J DSx-280x or DS4x-320x (e.g. DS44-320/G) for areas with possible temporary voltages (bad quality AC voltage or supply by AC generator set).